

## Option 1 FINGERPRINT ACCESS

A list of system users and their 5-digit user IDs should be kept for the purpose of managing removal of their individual template from the system.

**Note:** The 5-digit user ID must be unique.

### HOW TO ENROLL USER

- Press #9-9# followed by 1-2-3-4#
- Press 1-2-# followed by [unique 5-digit user ID] -# ... (i.e. 32658#)
- Place and lift user finger three separate times on the lighted fingerprint sensor, guided by the green LEDs and audible beeps
- Repeat with a second finger (from other hand)
- Press #-#-# to exit enrollment

### HOW TO DELETE USER

- Press #9-9# followed by 1-2-3-4#
- Press 1-3-# followed by [unique 5-digit user ID] -# ... (i.e. 32658#)
- Press #-#-# to exit enrollment

## Option 2 PIN ACCESS

This allows you to define two general access PINs from 4-to-8 digits in length.

**Note:** Both PINs must be the same length.

### HOW TO ENROLL USER

- Press #9-9# followed by 1-2-3-4#
- Press 1-4-#, then 4-0-#, followed by [4-to-8-digit PIN] -# ... (i.e. 3265#)
- Press #-#-# to exit enrollment
- To enroll second PIN, follow the above steps but replace 4-0-# with 4-1-#

### HOW TO DELETE USER

- Press #9-9# followed by 1-2-3-4#
- Press 1-4-#, then 4-0-1#, followed by [4-to-8-digit PIN] -# ... (i.e. 3265#)
- Press #-#-# to exit enrollment
- To delete second PIN, follow the above steps but replace 4-0-1# with 4-1-1-#

#### OPEN THE DOOR

- Press \* and touch lighted fingerprint sensor

#### OPEN THE DOOR

- Enter PIN

**Note:** Solid green lights = approved; solid red lights = denied

# Single Door Unit controller with Fingerprint Key biometric reader

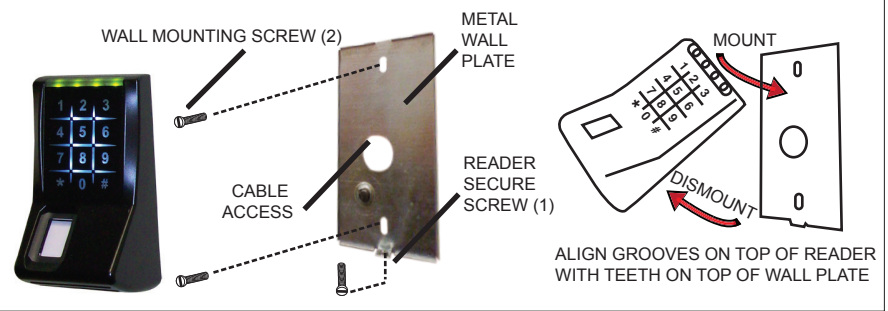
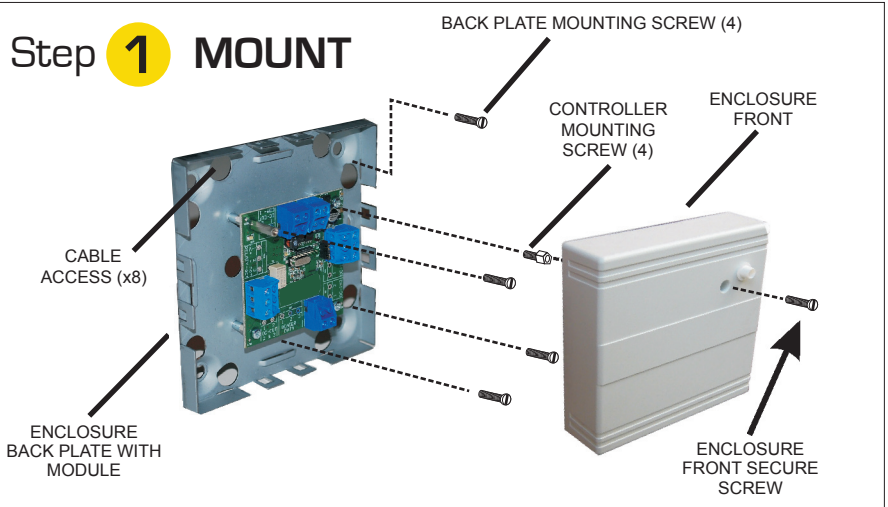
## INSTALLATION & ACCESS GUIDE



TECH SUPPORT: 866.807.3542

HOW-TO VIDEOS: [e-data.com](http://e-data.com)

## Step 1 MOUNT



## Step 2 WIRE

- A** Connect biometric reader to paired controller
- 12V DC (red)
  - GND (black)
  - RS485A (pink)
  - RS485B (gray)
- B** Connect locking hardware, DC power to controller
- Relay between lock and controller module\*
  - 12 to 24V DC power source (24V recommended)
- \*Follow lock manufacturer installation instructions
- C** Terminations
- |                      |                            |
|----------------------|----------------------------|
| • X5 (future use)    | LEDs and Jumpers           |
| • X7 (lock relay)    | • V2 (reader online state) |
| • X15 (DC power in)  | • V15 (3.3V DC power)      |
| • X18 (reader data)  | • JP2 (RS485 termination)  |
| • X21 (reader power) | • JP4 (RS485 termination)  |

For illustration only;  
local municipality code may  
require alternate configuration

